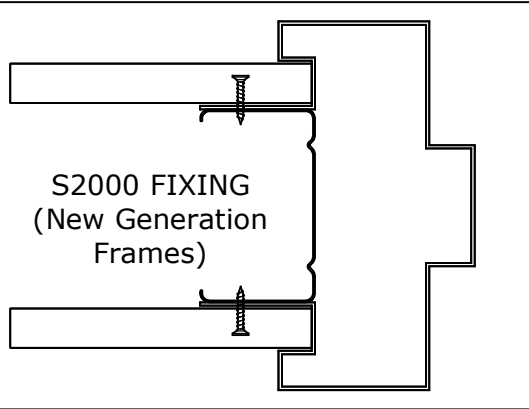


S2000 (or New Generation) FIXING

Suitable for both Fire Rated and Non Rated Applications. Frame to be installed during construction of the wall. Profile can be modified to suit various channel sizes and sheet thicknesses. No additional finishing (i.e. corner bead) of junction between wall sheet and frame.

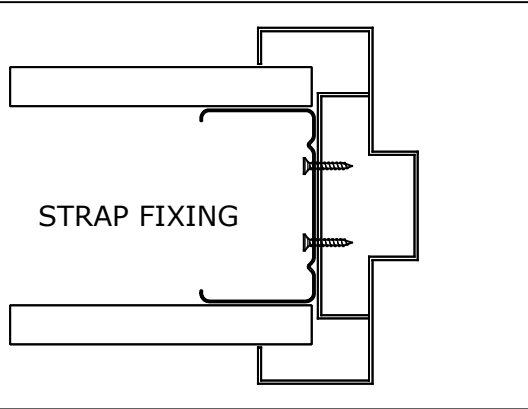
The frame, once installed, sits proud of the wall and as such is not suited to applications requiring a flush finish to the adjoining wall. Frame is secured by driving screws through the extended fins into the side of the wall channel. Suitable for installation where nibs less than 300mm are provided from a sheer wall.



STRAP FIXING

Suitable for both Fire Rated and Non Rated Applications. Frame to be installed during construction of the wall. Profile can be modified to suit various channel sizes and sheet thicknesses. No additional finishing (i.e. corner bead) of junction between wall sheet and frame.

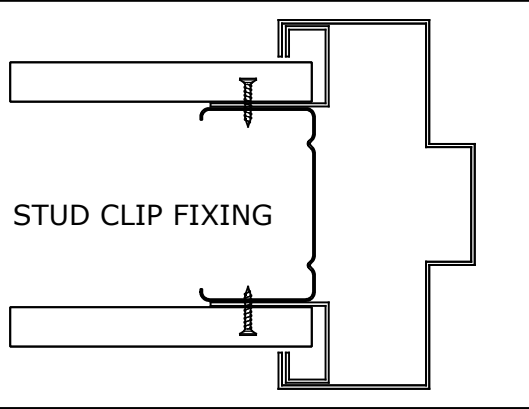
The frame, once installed, sits proud of the finish wall. Not suitable if flush finish to wall is required by your specification. Frame is secured by driving screws through the back of the channel into the stap welded to the back of the frame. May be difficult to install where nibs less than 300mm are provided from a sheer wall.



STUD CLIP FIXING

Suitable for Non Rated Applications only. Frame to be installed during construction of the wall. Profile can be modified to suit various channel sizes and stud clips supplied to suit various sheet thicknesses. No additional finishing (i.e. corner bead) of junction between wall sheet and frame.

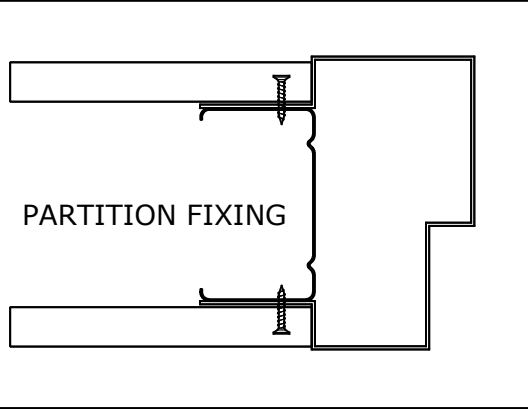
The frame, once installed, sits proud of the wall and as such is not suited to applications requiring a flush finish to the adjoining wall. Frame is secured by driving screws through stud clip fin into the side of the wall channel. Suitable for installation where nibs less than 300mm are provided from a sheer wall. Stud clips are supplied loose with the frame and are clipped into the back of the frame architrave during installation.



PARTITION FIXING

Suitable for both Fire Rated and Non Rated Applications. Frame to be installed during construction of the wall. Profile can be modified to suit various channel sizes and sheet thicknesses.

The frame and once installed, can sit either flush with the wall or proud of the wall dependant on the size of the frame returns. Frame is secured by driving screws through the extended fins into the side of the wall channel. Suitable for installation where nibs less than 300mm are provided from a sheer wall. Partion fixed frame generally require additional finishing (i.e. corner bead) between the junction of the wall sheeting and the frame.



Taylor's Doors & Frames Pty Ltd

20 Orchard Road
 Brookvale NSW 2100
 Ph: + 61 2 9905 1222
 Email: admin@taylorsdoors.com.au

General Notes:

www.taylorsdoors.com.au

Drawn By: Peter Mole

Date: 13th October 2016

Drawing ID: PWFixingOptions

Sheet:

1 of 1

Revision: B