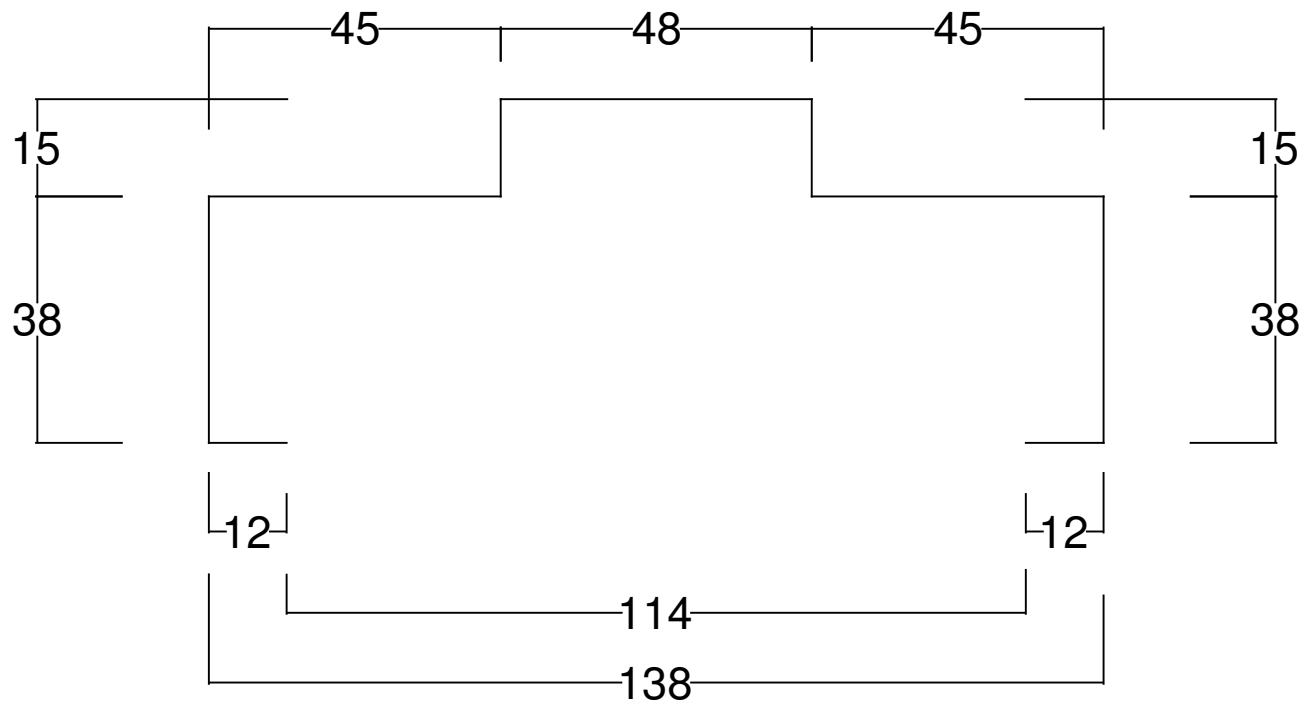
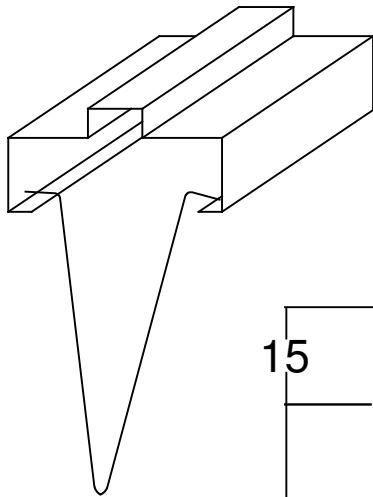


TAYLORS DOOR AND FRAMES PROFILE ID: NR4-114BI

| |
|--|
| Material: 1.1mm Zinc Anneal |
| Hinge Type/Qty: 3 Screw Fixed Hinge Preparations |
| Strike: Universal Strike |
| Assembly: Fully Welded Dressed and Primed |
| Fixing Method: Wire Ties |
| Nominal Door Thickness: 40mm |



Taylors Doors & Frames Pty Ltd

20 Orchard Road
 Brookvale NSW 2100
 Ph: + 61 2 9905 1222
 Email: admin@taylorsdoors.com.au

General Notes:

www.taylorsdoors.com.au

Drawn By: Peter Mole

Date: 15th October 2014

Drawing ID: NR4-114BIProfile

Sheet:

1 of 1

Revision: A