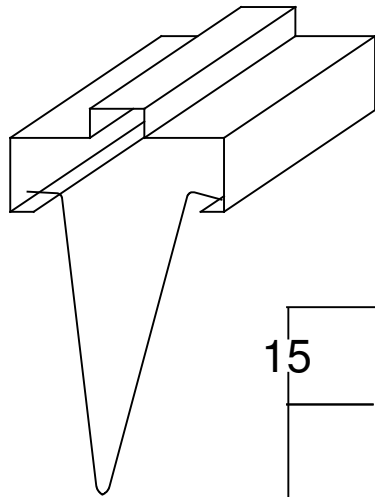
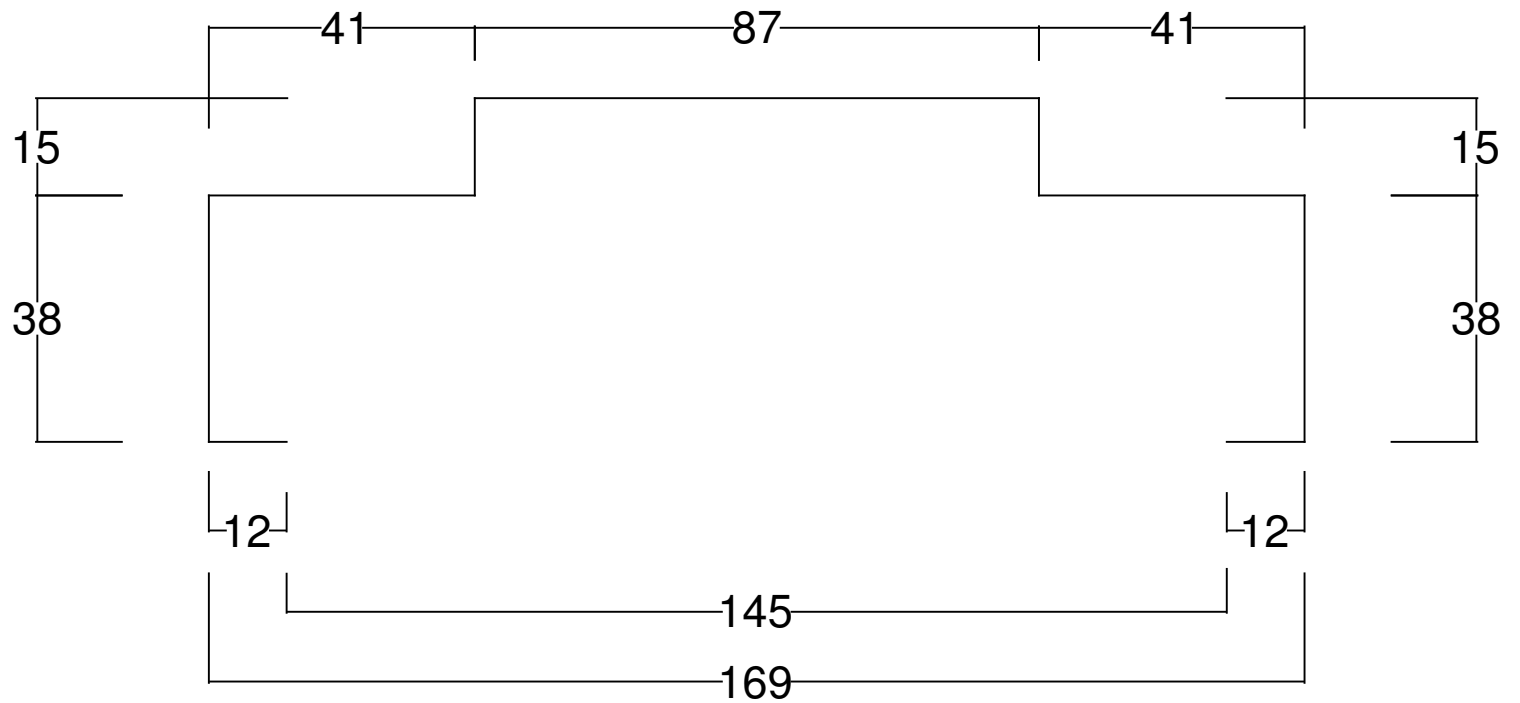


TAYLORS DOOR AND FRAMES PROFILE ID: NR145BI



Material: 1.1mm Zinc Anneal
Hinge Type/Qty: 3 Screw Fixed Hinge Preparations
Strike: Universal Strike
Assembly: Fully Welded Dressed and Primed
Fixing Method: Wire Ties
Nominal Door Thickness: 35mm



**Taylors Doors & Frames Pty Ltd**

20 Orchard Road  
 Brookvale NSW 2100  
 Ph: + 61 2 9905 1222  
 Email: admin@taylorsdoors.com.au

General Notes:

[www.taylorsdoors.com.au](http://www.taylorsdoors.com.au)

Drawn By: Peter Mole

Date: 15th October 2014

Drawing ID: NR145BIProfile

Sheet:

1 of 1

Revision: A