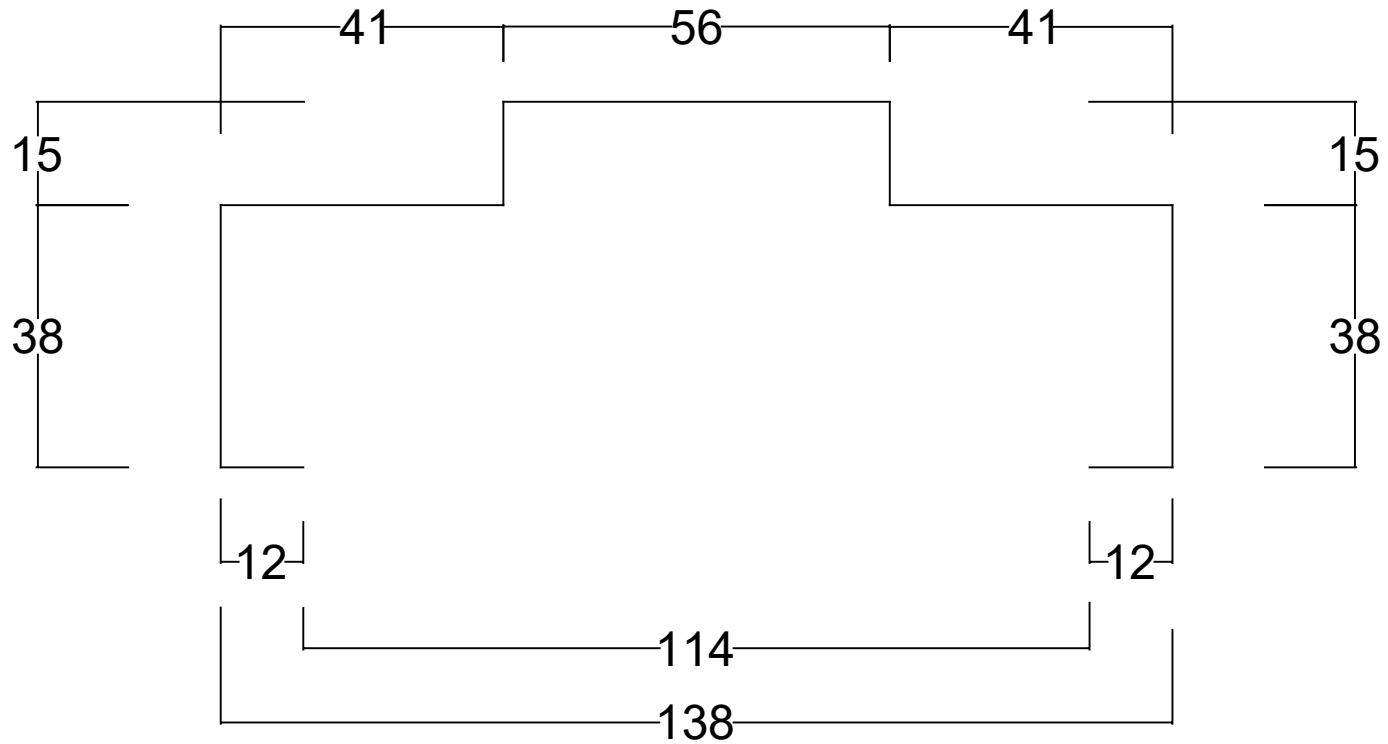
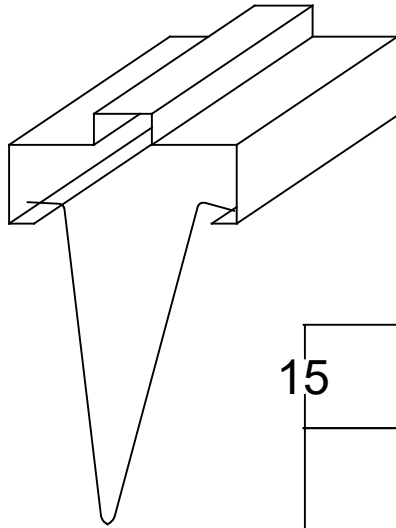


TAYLORS DOOR AND FRAMES PROFILE ID: NR114BI

Material: 1.1mm Zinc Anneal
Hinge Type/Qty: 3 Screw Fixed Hinge Preparations
Strike: Universal Strike
Assembly: Fully Welded Dressed and Primed
Fixing Method: Wire Ties
Nominal Door Thickness: 35mm



Taylors Doors & Frames Pty Ltd

20 Orchard Road
 Brookvale NSW 2100
 Ph: + 61 2 9905 1222
 Email: admin@taylorsdoors.com.au

General Notes:

www.taylorsdoors.com.au

Drawn By: Peter Mole

Date: 13th October 2016

Drawing ID: NR114BIProfile

Sheet:

1 of 1

Revision: B