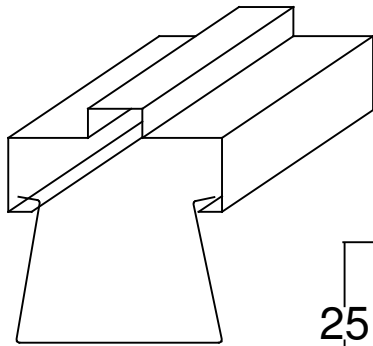
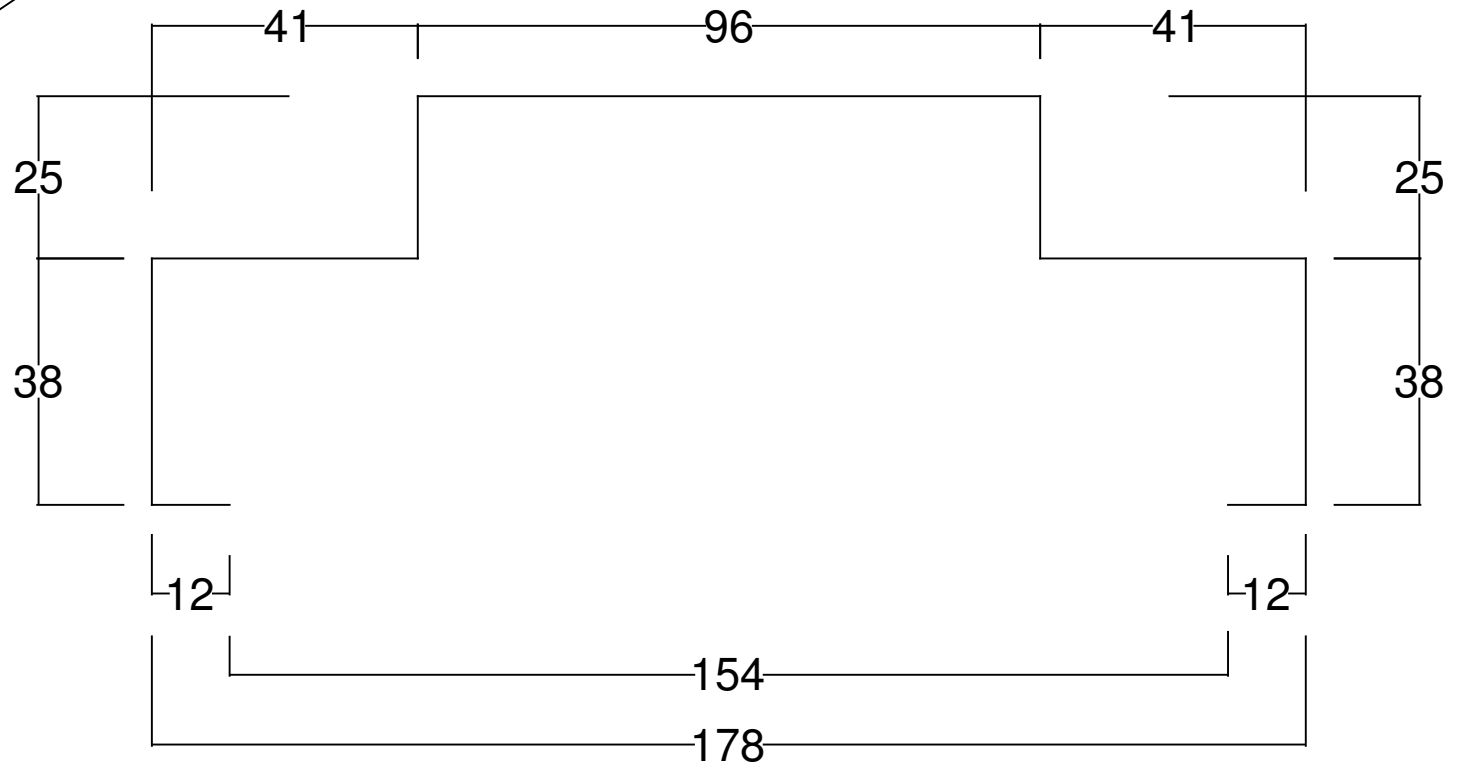


TAYLORS DOOR AND FRAMES PROFILE ID: FR154BI



Material: 1.1mm Zinc Anneal
Hinge Type/Qty: 3 Screw Fixed Hinge Preparations
Strike: Universal Strike
Assembly: Fully Welded Dressed and Primed
Fixing Method: Block Ties
Nominal Door Thickness: 37mm



Taylors Doors & Frames Pty Ltd

20 Orchard Road
 Brookvale NSW 2100
 Ph: + 61 2 9905 1222
 Email: admin@taylorsdoors.com.au

General Notes:

www.taylorsdoors.com.au

Drawn By: Peter Mole

Date: 15th October 2014

Drawing ID: FR154BIProfile

Sheet:

1 of 1

Revision: A